



Our *passion* is enclosures.



## Suspension Arm Systems

Perfect design for machine building. Sophisticated HMI/IPC control enclosures and suspension arm systems that enhance your machine. The perfect symbiosis of design, flexibility and technical sophistication.

[www.rolec.de/en](http://www.rolec.de/en)

# taraSMART

The perfect addition to the HMI-control enclosure series profiPANEL and multiPANEL



Our passion is enclosures.

Tried and tested technology  
with a new design



## The most important product features of taraSMART at a glance:

- Tried and tested technology, modern design
- Suitable for routing connectors such as HDMI, DVI or network adapters
- Quick and easy assembly
- Simple adaptation of panel PCs with a round tube frame
- Ingress protection IP 54

Find out more at [www.rolec.de/en](http://www.rolec.de/en)

Fastening options at or on the machine body:

- Five fastening options
- Small fastening dimensions (from 90 x 90 mm)
- Perfect symbiosis of system components with your machine's mounting surface
- Socket and wall joint vertical and base also possible as an overhead assembly



- 1 Profile panel coupling for connecting to narrow HMI enclosures, e.g. multiPANEL
- 2 Panel coupling Ø48 for connecting to narrow HMI enclosures, e.g. multiPANEL
- 3 Profile coupling
- 4 Coupling Ø48
- 5 Round tube Ø48 for the direct connection of Panel PCs with a round tube frame

## Options for connecting to individual command enclosures and panel PCs made by leading manufacturers with a round tube frame.

We present the latest generation of modern suspension arm technology with the taraSMART design. This harmonises perfectly with that of modern machines. taraSMART makes time-saving assembly possible with internal cable routing. Practical rotation limitation is integrated as a standard. The aesthetic and stable design leaves nothing to be desired on a technical level.

Intelligent components make almost any conceivable set-up combination possible. Thanks to the adaptation option with the elbow onto a Ø48 round tube, numerous panel PCs made by leading manufacturers can be connected quickly and easily. Using the tapered panel coupling, narrower HMI enclosures can be easily connected.

## Round or angular? After the elbow, how should things proceed?

The taraSMART system gives you a choice of two elbow variants: "Profile elbow" and "Ø48 Elbow", allowing you to adapt the arm assembly to match the HMI control enclosure using one of the standard couplings.

The Ø48 elbow can directly connect all panel PCs that have a frame for a Ø48 mm round tube. No coupling is required for this.

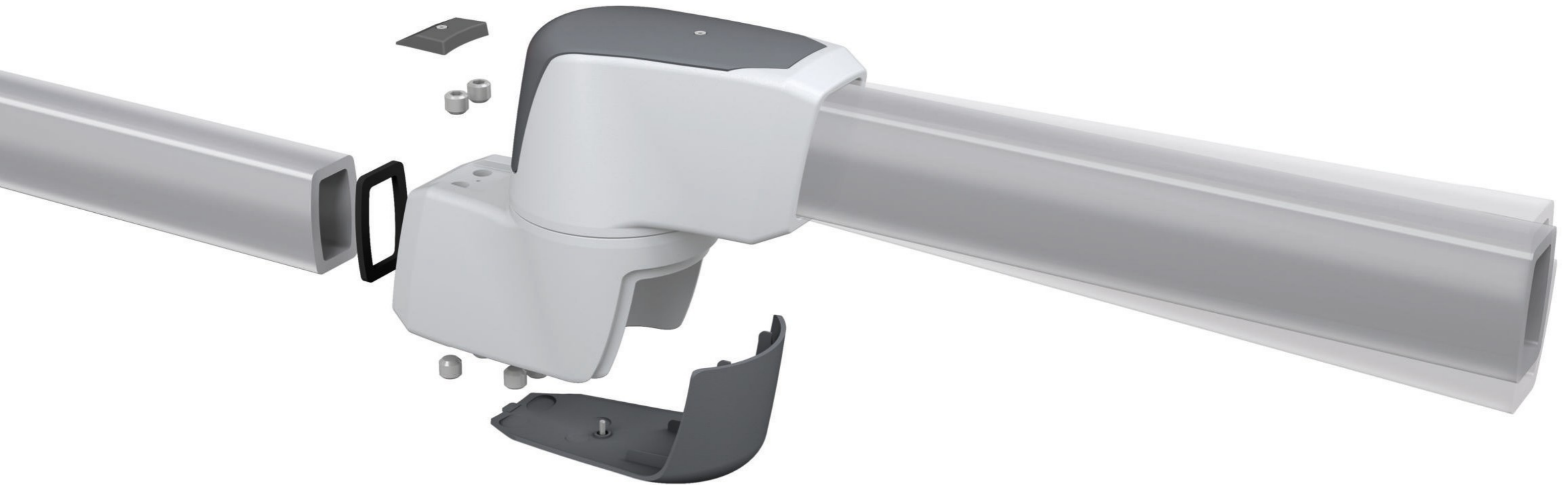


# taraSMART

The evolution of a classic and the perfect addition to the HMI control enclosure series profiPANEL and multiPANEL



Our passion is enclosures.



## The precision of tried and tested technology.

When developing taraSMART, our designers and mechanical engineers have kept in mind that the best things are often very simple. Also here, less is more. Therefore, the inside of taraSMART has been reduced to the essentials. Tried and tested technology with a modern look.

The slim and elegant design of the system components protects the cables inside of the system against excessive friction and guarantees continuous functionality of all the connections..

## Easy assembly, perfect adjustment.

In addition to a modern look, naturally, easy assembly is what primarily counts. Here too, taraSMART is impressive. The assembly of the system components is very simple and can be performed correspondingly quickly. The horizontal adjustment of the system is performed via a tried and tested

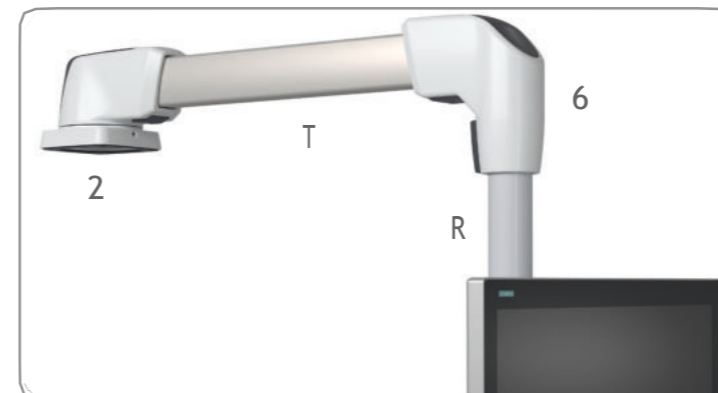
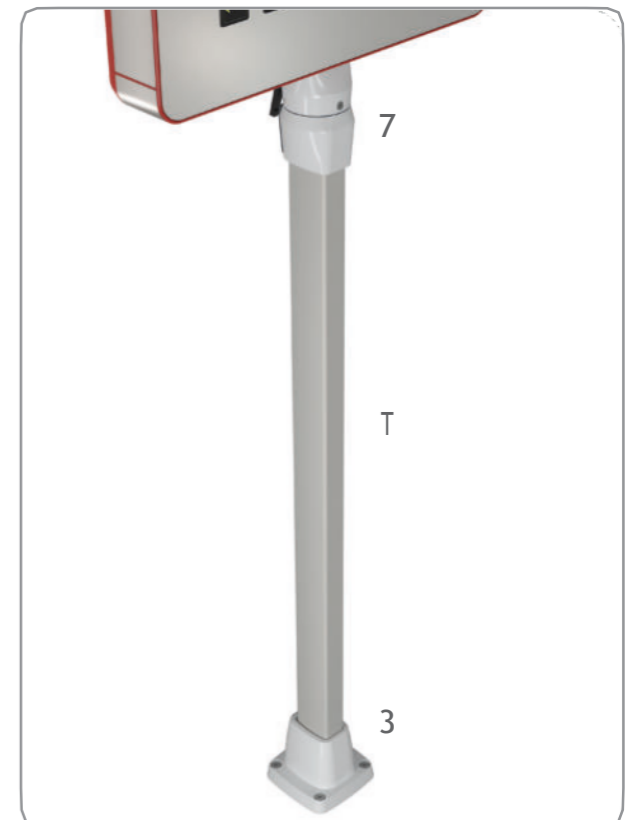
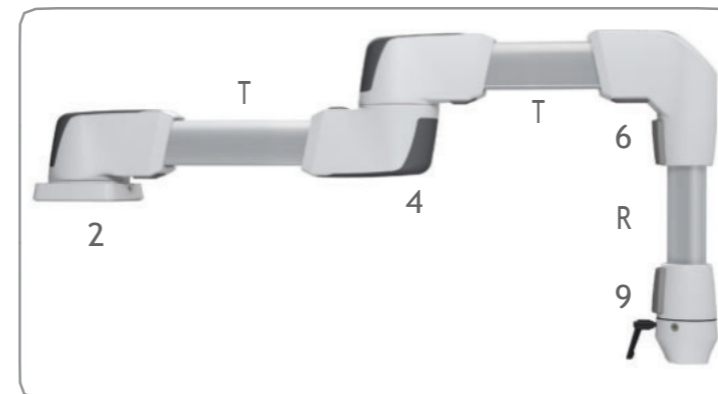
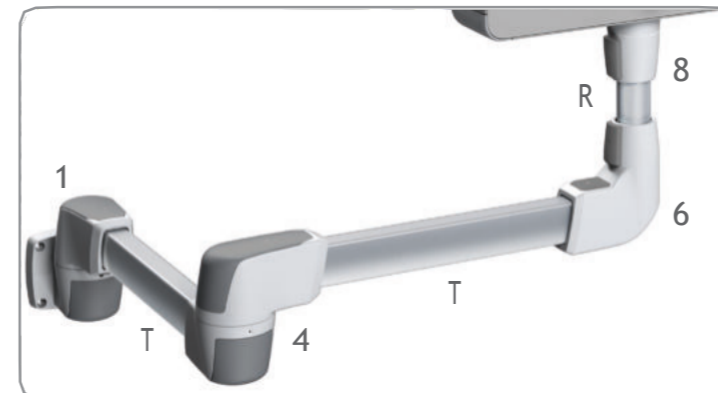
principle that has already been used for other ROLEC suspension arm systems. It allows for optimal adjustment of the system at all joints.



Thanks to its select system elements, taraSMART offers a whole host of combination options for individual suspension arm configuration. The example variants presented here serve as orientation aids and examples of the full diversity of the system.

ROLEC's team will be happy to advise you on the configuration of a suspension arm tailored specifically to your requirements.

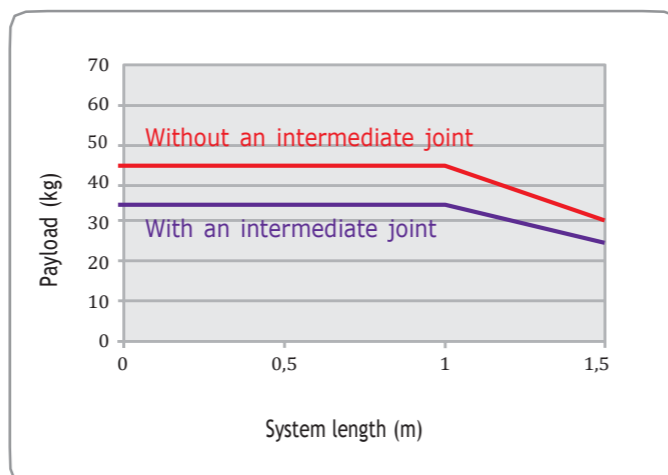
- |                      |                          |                                       |
|----------------------|--------------------------|---------------------------------------|
| 1 Wall joint         | 5 Profile elbow          | 9 Panel coupling Ø48                  |
| 2 Socket joint       | 6 Ø48 elbow              | T Support profile, length is variable |
| 3 Base               | 7 Profile panel coupling | R Ø48 round tube, length is variable  |
| 4 Intermediate joint | 8 Coupling Ø48           |                                       |




### A great deal of interior space.

With both the rectangular support profile and the Ø48 mm round support tube, taraSMART offers a great deal of space for the routing of cables, such as HDMI cables, DVI cables or network adapters. Routing through the inside of the profiles can be performed quickly and easily thanks to the straight inner walls.


In the adjacent graphic, you can see how the load-bearing capacity of the system behaves as the system length becomes longer and how it behaves without an intermediate joint.






Socket joint  
141.005.000

Max. range of rotation 300°  
RAL 7035/7016




Wall joint  
141.010.000

Max. range of rotation 230°  
RAL 7035/7016




Panel coupling profile  
141.025.500

upright/hanging  
Max. range of rotation 320°  
RAL 7035/7016




Panel coupling Ø48  
141.025.501

upright/hanging  
Max. range of rotation 320°  
RAL 7035/7016




Socket joint vertical  
141.005.001

Max. range of rotation 300°  
RAL 7035/7016




Wall joint vertical  
141.010.001

Max. range of rotation 300°  
RAL 7035/7016




Profile coupling  
141.025.000

upright/hanging  
Max. range of rotation 310°  
RAL 7035/7016




Coupling Ø48  
141.025.001

upright/hanging  
Max. range of rotation 310°  
RAL 7035/7016




Base  
141.030.000

RAL 7035/7016



Intermediate joint  
141.015.000

Max. range of rotation 300°  
RAL 7035/7016




Support profile  
144.500.250 L = 250 mm  
144.500.500 L = 500 mm  
144.500.750 L = 750 mm  
144.501.000 L = 1000 mm

Extruded aluminium profile  
silver anodised



Round tube Ø48  
144.510.250 L = 250 mm  
144.510.500 L = 500 mm  
144.510.750 L = 750 mm  
144.511.000 L = 1000 mm

Steel  
silver-coated



Profile elbow  
141.020.000

RAL 7035/7016



Ø48 elbow  
141.020.001

RAL 7035/7016

#### Technical data

System components Die cast aluminium, RAL 7035	Gasket Chloroprene (CR)	OPTIONAL:
Covers Thermoplast, RAL 7016	Ingress protection IP 54 / EN 60529	Coating Special colours for system elements
Support profile Extruded aluminium profile, silver anodised Round tube Ø48, silver-coated		Matching control enclosures profiPANEL, multiPANEL, commandCASE, aluFACE



Our passion is enclosures.



ROLEC  
Gehäuse-Systeme GmbH  
Kreuzbreite 2  
D-31737 Rinteln

Phone +49 (0) 5751 4003-0  
Fax +49 (0) 5751 4003-50  
info@rolec.de  
www.rolec.de

