

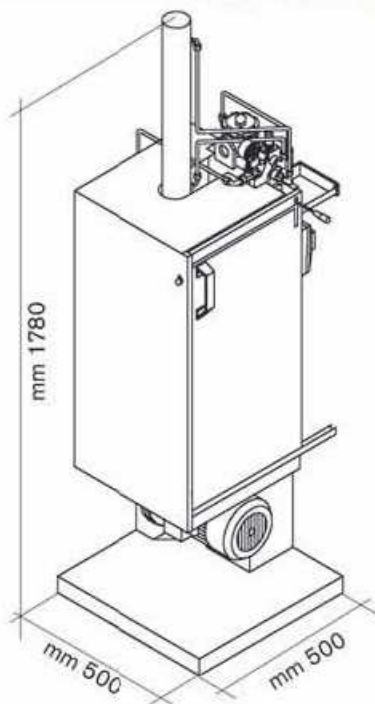


CAN CRUSHERS CPV4 Series

Recovery or storage of cans, 5 and 25 liters containing paints, inks, oils, and all cans, however, to start disposal, compactors **CPV 4** series represent the solution finally more rational and safe on the market today.

The reduction of dimensions at less than a tenth of its original volume, gives economic advantages arising from the savings that will make possible the storage, transportation and disposal. The special shape of the crushing plans prevent the occurrence of over-pressure in the can that have to be crushed, thus eliminating the presence of liquid waste and hazardous splashes.

In addition, the easy use and low maintenance allow users to have always an available and reliable equipment. The device is equipped with safety device on the lid, that prevents the operator from any hazard.



Dimensione camera di schiacciamento:
Crushing chamber dimensions:

Altezza / Height	mm	510
Larghezza / Width	mm	335
Profondità / Depth	mm	350

Forza crushing force	kgf	4000
	N	39600

Potenza assorbita motor power	kW	1,7 monofase
	kW	1,5 trifase

Corsa cilindro cylinder stroke	mm	500
-----------------------------------	----	-----

Tempo max. per ciclo Max cycle time	sec.	12
--	------	----

Peso - Weight	Kg	138
---------------	----	-----

Costruito per piccole aziende, consente lo schiacciamento di un bidone alla volta.

Built for small factories, it allows the crushing of one can each cycle.